

Deck Ovens Europa Marconi Fixed Electric

Product Features

- Armoured electrical heating elements exclusively conceived by Europa.
- Each deck can be individually controlled, setting them at different temperatures and controlling the ceiling and floor temperatures separately (running economy and user flexibility).
- Every deck has its own lighting and steaming system.
- Possibility of excluding the energy consumption of the steam generators in case the products do not require any steam.
- Higher top deck for special products.
- Front and sensitive parts made of stainless steel.
- All maintenance operations can be carried out from the front part.



Standard control Panel for each deck shown above, optional control panel for all decks shown on right.



Australian Bakery & Pizza

Importers and Distributors



Europa Marconi Technical Specifications

MOD	Chamber	Doors	mq	MIN room door's width		MIN room's height		Installed power		
				mm	inches	mm	inches	A*	B*	C*
								Kw	Kw	Kw
3204	3	2 (620)	4,5	600	23,62	2700	106,30	25	9	2
3206	3	2 (620)	6	600	23,62	2700	106,30	31	11	2,5
3207	3	2 (620)	7,5	600	23,62	2700	106,30	37	13	3
3209	3	2 (620)	9	600	23,62	2700	106,30	43	15	3
3306	3	3 (620)	6,7	600	23,62	2700	106,30	38	12	2
3309	3	3 (620)	9	600	23,62	2700	106,30	47	15	2,5
3311	3	3 (620)	11,2	600	23,62	2700	106,30	56	20	3
3313	3	3 (620)	13,5	600	23,62	2700	106,30	65	24	3
4104	4	1 (920)	4,5	600	23,62	2700	106,30	34	12	/
4106	4	1 (920)	6	600	23,62	2700	106,30	42	15	/
4107	4	1 (920)	7,5	600	23,62	2700	106,30	50	18	/
4109	4	1 (920)	8,9	600	23,62	2700	106,30	58	21	/
4206	4	2 (620)	6	600	23,62	2700	106,30	34	12	2
4208	4	2 (620)	8	600	23,62	2700	106,30	42	15	2,5
4210	4	2 (620)	10	600	23,62	2700	106,30	50	18	3
4212	4	2 (620)	12	600	23,62	2700	106,30	58	21	3
4309	4	3 (620)	9	600	23,62	2700	106,30	51	19	2
4312	4	3 (620)	12	600	23,62	2700	106,30	63	23	2,5
4315	4	3 (620)	15	600	23,62	2700	106,30	75	28	3
4318	4	3 (620)	18	600	23,62	2700	106,30	87	32	3
FR 3206	3	2 (780)	5,7	600	23,62	2700	106,30	38	12	2
FR 3207	3	2 (780)	7,6	600	23,62	2700	106,30	47	15	2,5
FR 3209	3	2 (780)	9,5	600	23,62	2700	106,30	56	20	3
FR 3211	3	2 (780)	11,3	600	23,62	2700	106,30	65	24	3
FR 4207	4	2 (780)	7,6	600	23,62	2700	106,30	51	19	2
FR 4210	4	2 (780)	10,1	600	23,62	2700	106,30	63	23	2,5
FR 4212	4	2 (780)	12,6	600	23,62	2700	106,30	75	28	3
FR 4215	4	2 (780)	15,1	600	23,62	2700	106,30	87	32	3

A*: Without economizer B*: With economizer C*: Absorption for steam generator

Your Bakery/Pizza Equipment Specialists.

122 Whitehorse Road, Blackburn, Victoria, Australia. 3130

abpatlas@abpatlas.com.au Tel: +61 3 9878 6900 Fax: +61 3 9878 6966

Australian Bakery & Pizza

Importers and Distributors

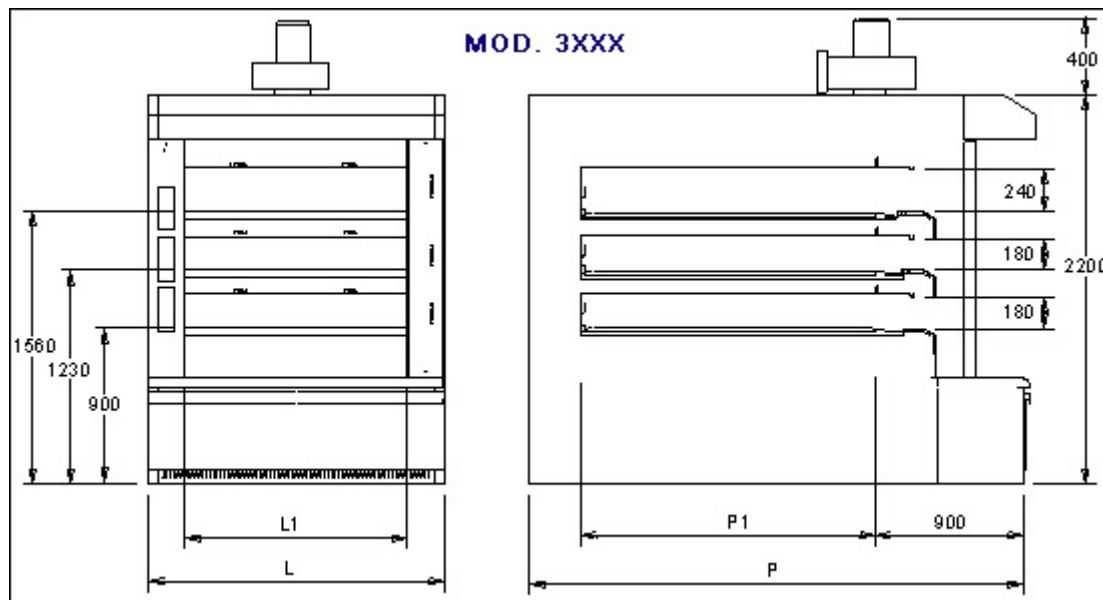
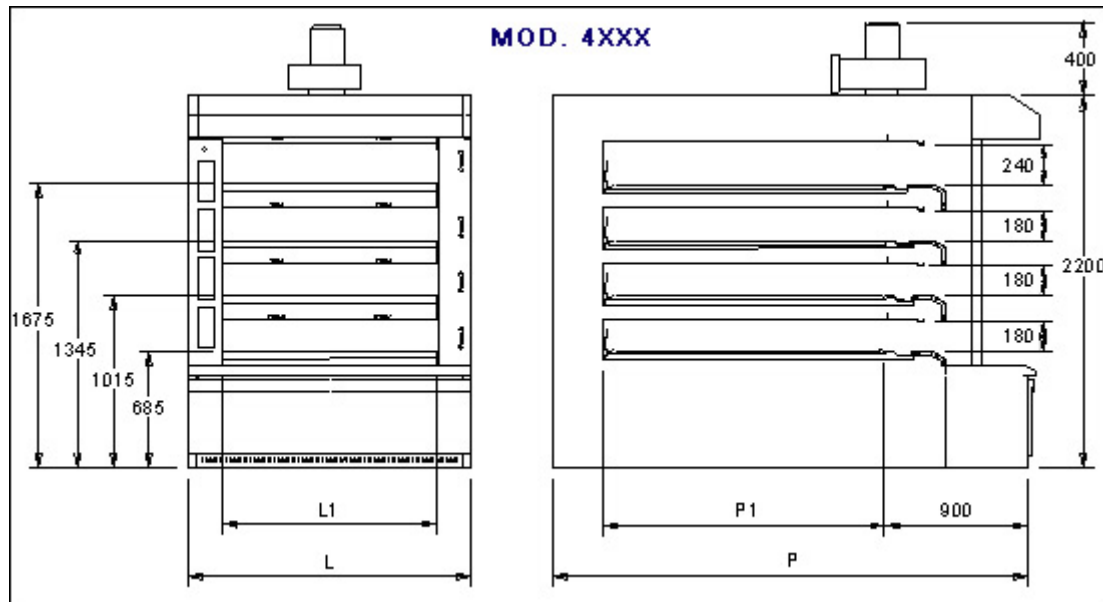


DIMENSIONS								
MOD	Outer dimension				Chamber total dimensions			
	L		P		L1		P1	
	mm	inches	mm	inches	mm	inches	mm	inches
3204	1650	65	2310	91	1240	48,85	1220	48,07
3206	1650	65	2710	106,77	1240	48,85	1620	63,83
3207	1650	65	3110	122,53	1240	48,85	2020	79,59
3209	1650	65	3510	138,29	1240	48,85	2420	95,35
3306	2270	89,44	2310	91	1860	73,28	1220	48,07
3309	2270	89,44	2710	106,77	1860	73,28	1620	63,83
3311	2270	89,44	3110	122,53	1860	73,28	2020	79,59
3313	2270	89,44	3510	138,29	1860	73,28	2420	95,35
4104	1650	65	2310	91	920	36,25	1220	48,07
4106	1650	65	2710	106,77	920	36,25	1620	63,83
4107	1650	65	3110	122,53	920	36,25	2020	79,59
4109	1650	65	3510	138,29	920	36,25	2420	95,35
4206	2270	65	2310	91	1240	48,85	1220	48,07
4208	2270	65	2710	106,77	1240	48,85	1620	63,83
4210	2270	65	3110	122,53	1240	48,85	2020	79,59
4212	2270	65	3510	138,29	1240	48,85	2420	95,35
4309	2270	89,44	2310	91	1860	73,28	1220	48,07
4312	2270	89,44	2710	106,77	1860	73,28	1620	63,83
4315	2270	89,44	3110	122,53	1860	73,28	2020	79,59
4318	2270	89,44	3510	138,29	1860	73,28	2420	95,35
FR 3206	2270	89,44	2310	91	1560	61,46	1220	48,07
FR 3207	2270	89,44	2710	106,77	1560	61,46	1620	63,83
FR 3209	2270	89,44	3110	122,53	1560	61,46	2020	79,59
FR 3211	2270	89,44	3510	138,29	1560	61,46	2420	95,35
FR 4207	2270	89,44	2310	91	1560	61,46	1220	48,07
FR 4210	2270	89,44	2710	106,77	1560	61,46	1620	63,83
FR 4212	2270	89,44	3110	122,53	1560	61,46	2020	79,59
FR 4215	2270	89,44	3510	138,29	1560	61,46	2420	95,35

Your Bakery/Pizza Equipment Specialists.
 122 Whitehorse Road, Blackburn, Victoria, Australia. 3130
 abpatlas@abpatlas.com.au Tel: +61 3 9878 6900 Fax: +61 3 9878 6966

Australian Bakery & Pizza

Importers and Distributors



Your Bakery/Pizza Equipment Specialists.

122 Whitehorse Road, Blackburn, Victoria, Australia. 3130

abpatlas@abpatlas.com.au Tel: +61 3 9878 6900 Fax: +61 3 9878 6966