

CFI BLUE MOON Retarder Proofer- Single Rack Wheel-In

Description

AFC – Bakery applications Cabinets for Trolleys

Products from the AFC range are controlled baking fermentation cabinets, designed to take trolleys.

The AFC range consists of several standard single compartment, 1-door models :

- 1 model AFC46 1C1P : for trays 400 x 600 C TOUCH Control Panel
- 1 model AFC 537 1C1P : for trays 18" C TOUCH Control Panel
- 1 model AFC68 1C1P : for trays 600 x 800 C TOUCH Control Panel

A construction of quality, respectful of the environment

- All units standard as high temp tropicalized unit (HTA)
- Door seals in black magnetized TPE
- In the standard version, each model is delivered fitted with a humidity generator, with a very efficient electronic probe.
- The 60mm-thick panels are injected to a density of 45kg/m³ by a high pressure injection machine (135 bar)
- The combination of the thickness and density of the rigid polyurethane foam insulating material has been specially designed according to operational requirements, thereby minimizing heat loss and energy consumption.
- Panel surfaces in 6/10ths galvanized steel covered with a food quality PVC film of 120µ
- All interior angles are rounded
- All interior fittings in 100% food quality 404 stainless steel
- Double glazed glass door

CFI C-Touch Control Panel

TECHNOLOGY AT YOUR FINGERTIPS, ACCESSIBLE TO ALL

CFI innovates in the field of controlled proofing, a crucial stage in the bread-making process thanks to the new C-TouCh control. Combining ergonomics and versatility, it has been developed using capacitive technology, allowing high precision in the management of proofing programmes. It thus offers many advantages for direct and deferred work. Perfectly integrated at «human height» in the door of the proofing chambers and units, the C-TouCh control adapts to its user's processes and habits.

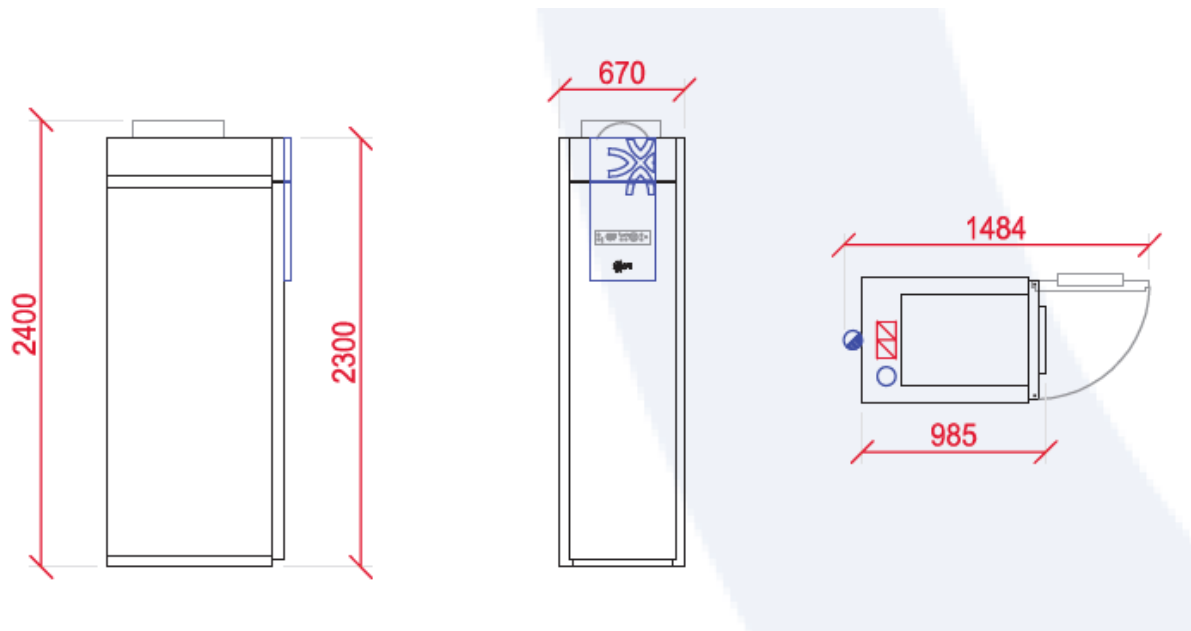
It is thus extremely simple to manage all the functions and parameters of controlled proofing (temperature, humidity) with one finger touch. Browsing from one programme to another, creating or modifying recipes, becomes child's play.

Its perfectly flat and easy to clean surface is made in a shock-resistant material.



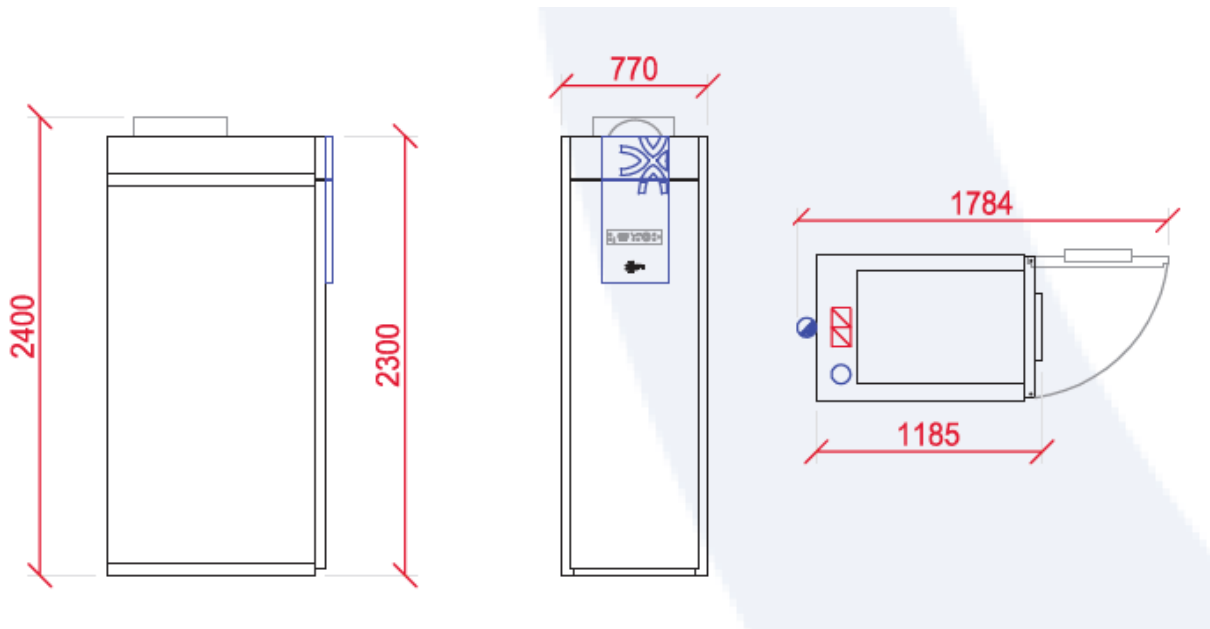
CFI BLUE MOON Retarder Proofer- Single Rack Wheel-In

AFC 46	RACK Wheel-in to suit 400 x 600 Trays- C TOUCH control panel		
AFC 46 Insulating and anti-skid ground + Stainless access ramp			
Recommended Rack size	470 x 610 x H1855	No. of Racks	1
Entrance Opening	490	Useful Side	E490 x P680
Refrigerating unit	1 refrigerating unit of 3/8 CV	No. of doors	1
Refrigerating capacity at -10°C	0,6 KW	Fluid	R404A
Voltage	240V ~1PH+N+T	Frequency	50 HZ
Connecting electrical power	0,9 KW	Connection	5 A



CFI BLUE MOON Retarder Proofer- Single Rack Wheel-In

AFC 537	RACK Wheel-in to suit 18 inch Trays C TOUCH control panel		
AFC 537 Insulating and anti-skid ground + Stainless access ramp			
Recommended Rack size	550 x 850 x H1855	No. of Racks	1
Entrance Opening	590	Useful Side	E590 x P880
Refrigerating unit	1 refrigerating unit of 3/8 CV	No. of doors	1
Refrigerating capacity at -10°C	0,88 KW	Fluid	R404A
Voltage	240V ~1PH+N+T	Frequency	50 HZ
Connecting electrical power	0,9 KW	Connection	5 A



CFI BLUE MOON Retarder Proofer- Single Rack Wheel-In

AFC 68	RACK Wheel-in to suit 600 x 800 C TOUCH control panel		
AFC 68 Insulating and anti-skid ground + Stainless access ramp			
Recommended Rack size	670 x 850 x H1855	No. of Racks	1
Entrance Opening	795	Useful Side	E795 x P880
Refrigerating unit	1 refrigerating unit of 7/8 CV	No. of doors	1
Refrigerating capacity at -10°C	1,3 KW	Fluid	R404A
Voltage	240V ~1PH+N+T	Frequency	50 HZ
Connecting electrical power	1,3 KW	Connection	6 A

